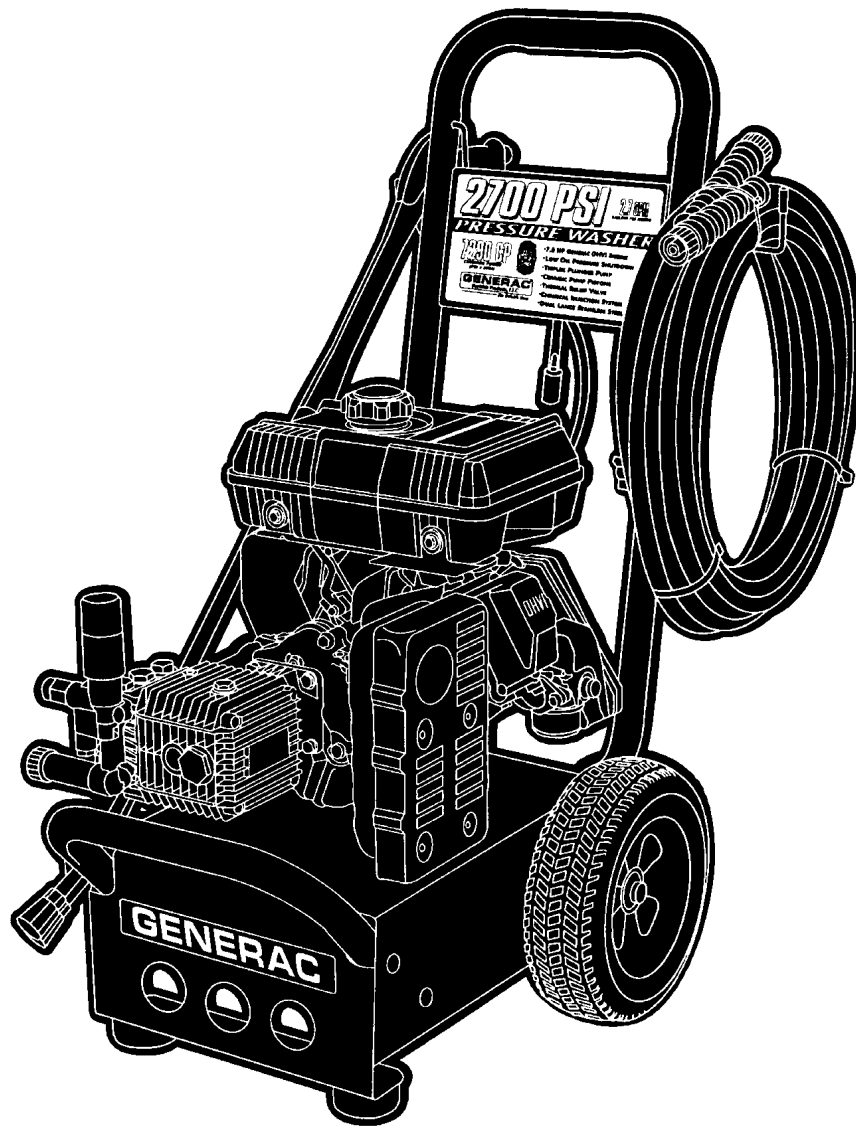


# Parts Manual

Mfg. No: 1293-1  
2,700 PSI





---

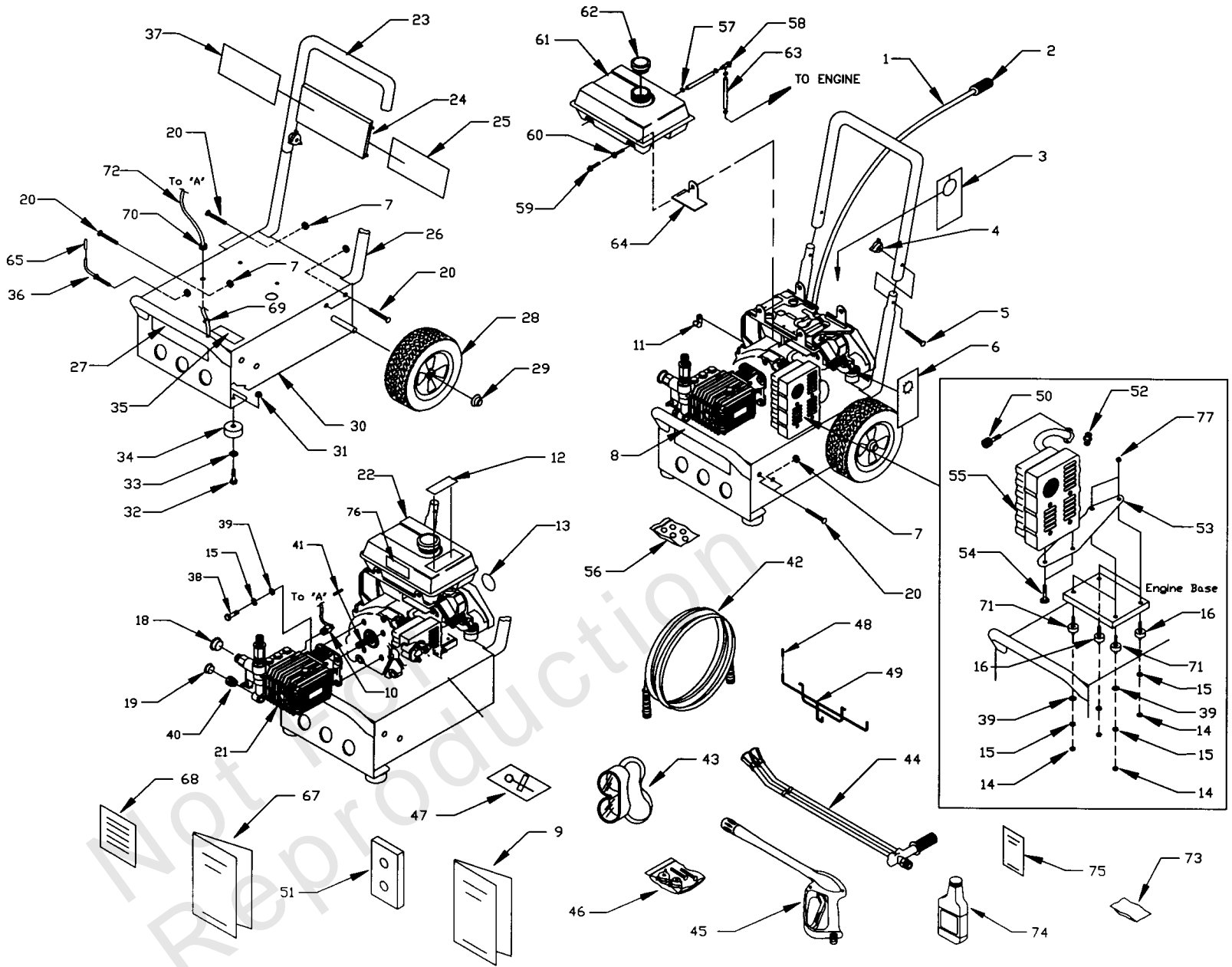
Model Components	Page
Main Unit.....	4
Pump.....	8
Torque Specification Chart.....	12

Not For  
Reproduction

# Main Unit

Note: Unless noted otherwise, use the standard torque specifications

Mfg. No: 1293-1



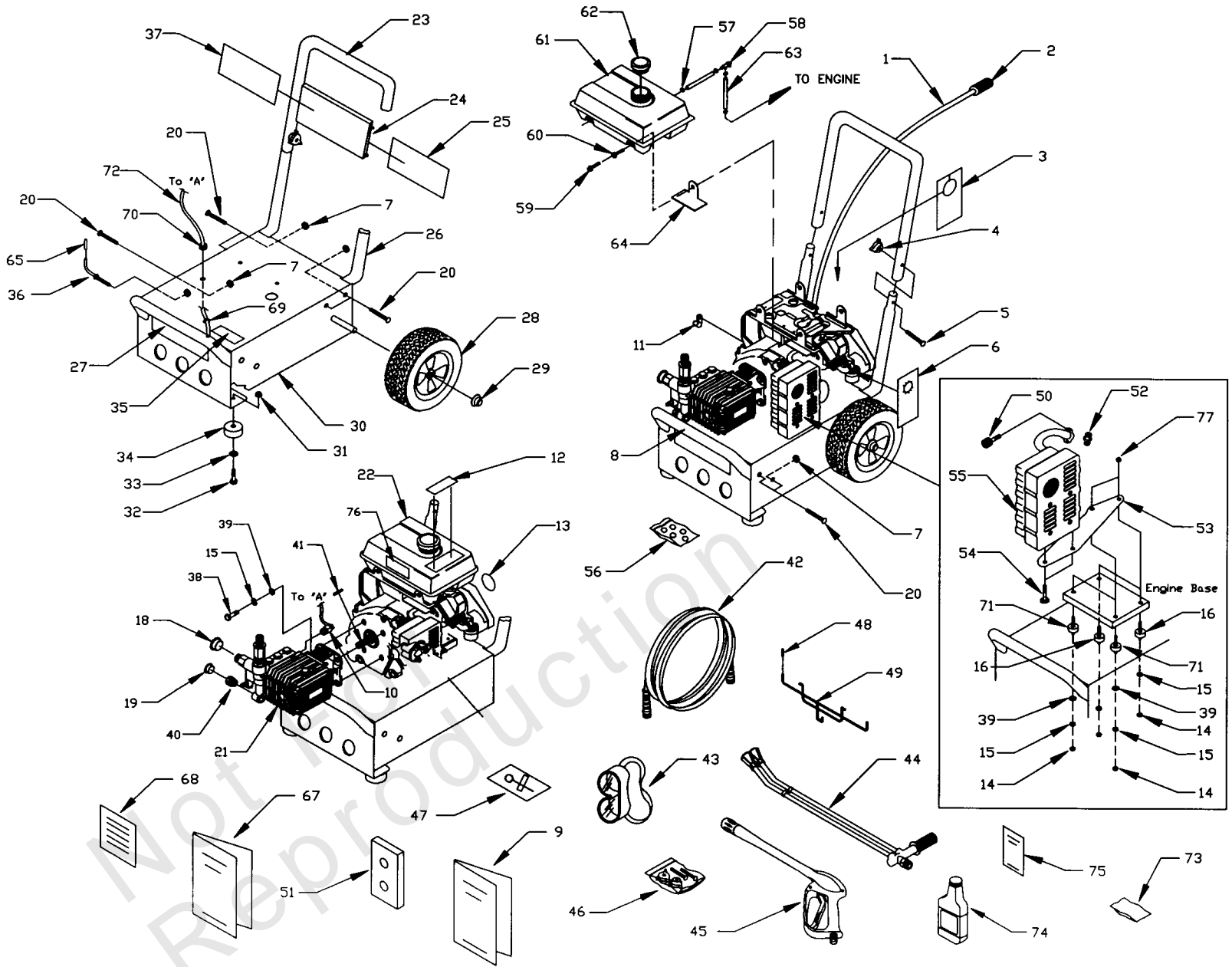
## Main Unit

REF NO	PART NO	QTY	DESCRIPTION
1	A1040D	1	HOSE, 4-1/2' Chemical Clear
2	A1041	1	FILTER, Chemical Hose
3	70453	1	TAG, Warning Oil
4	97178	2	KNOB, Handle 1/4" - 20 PW
5	31669	2	BOLT, 1/4" - 20 x 1-3/4" Carriage
6	B1210A	1	TAG, Start Instructions
7	99583	8	NUT, Flange Lock 5/16"-18
8	B1982	1	BUMPER
9	A8926	1	MANUAL, Engine
10	B2727	1	VALVE, Thermal Relief
11	B1232	1	CLAMP, Hose 7/16" Dia.
12	21786	1	DECAL, Danger
13	91682B	1	DECAL, Recoil
14	45771	4	NUT, M8 - 1.25 Hex
15	22129	8	LOCKWASHER, M8
16	21217	2	MOUNT, Rubber Shock M8
18	97100	1	CAP, H.P. Adapter
19	97098	1	CAP, Garden Hose Inlet
20	B2043	7	BOLT, 5/16"-18 x 1-3/4" Carriage
21	B3169	1	ASSEMBLY, Pump
22	~NSP	1	ENGINE, Generac Power Systems -GN 220 Model EHC 04747-1
23	B1983	1	HANDLE
24	B1631A	1	BILLBOARD, Plastic
25	B1932	1	DECAL, Instructions
26	B1981	2	SUPPORT, Handle
27	B2192	1	DECAL, Generac
28	B1760	2	ASSEMBLY, 10" Tire & Wheel
29	75402	2	PUSHNUT, 1/2" Dia.
30	AB1770	1	BASE
31	52858	2	NUT, M8 1.25 Flange Locking
32	42909	2	HHCS, M8 1.25 x 30
33	50190	2	WASHER, M8 Flat
34	27007	2	MOUNT, Donut Type Vibration
35	20566	1	DECAL, Generac #1-800
36	B2150	1	HOOK, Gun
37	B3761	1	DECAL, Logo
38	36819	4	HHCS, 5/16" - 24 x 1"
39	-----	6	WASHER, Flat, 5/16
40	95320	1	CONNECTOR, Garden Hose
41	23139B	1	KEY, 3/16" Square
42	B3635	1	HOSE, High Pressure
43	87815	1	GOGGLES, Safety
44	B2140D	1	LANCE, Dual
45	B3263	1	GUN, High Pressure
46	B2203	1	KIT, Handle Fastening
47	B2508	1	KIT, Cleaning
48	B1460	2	CAP, Vinyl (black)
49	B2168A	1	HANGER, Hose, Gun, Chem Bottle
50	40976	2	SHCS, M8 1.25 x 20
51	B2431	1	VIDEO

# Main Unit

Note: Unless noted otherwise, use the standard torque specifications

Mfg. No: 1293-1



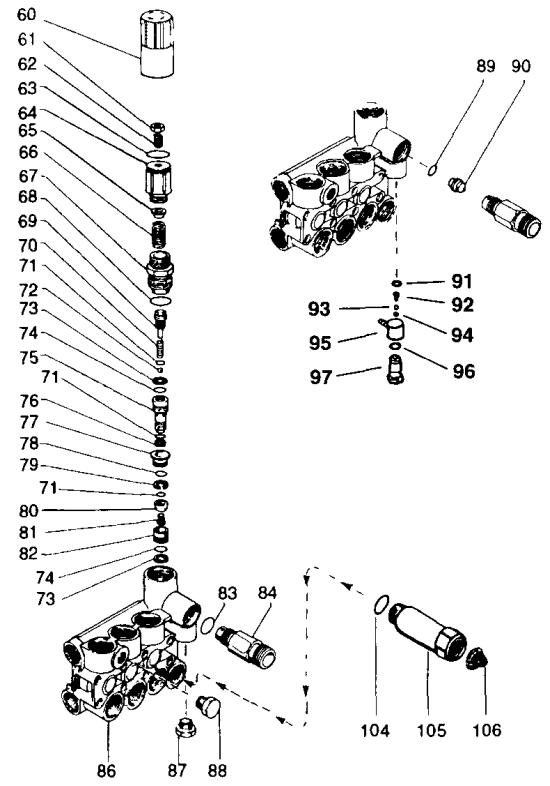
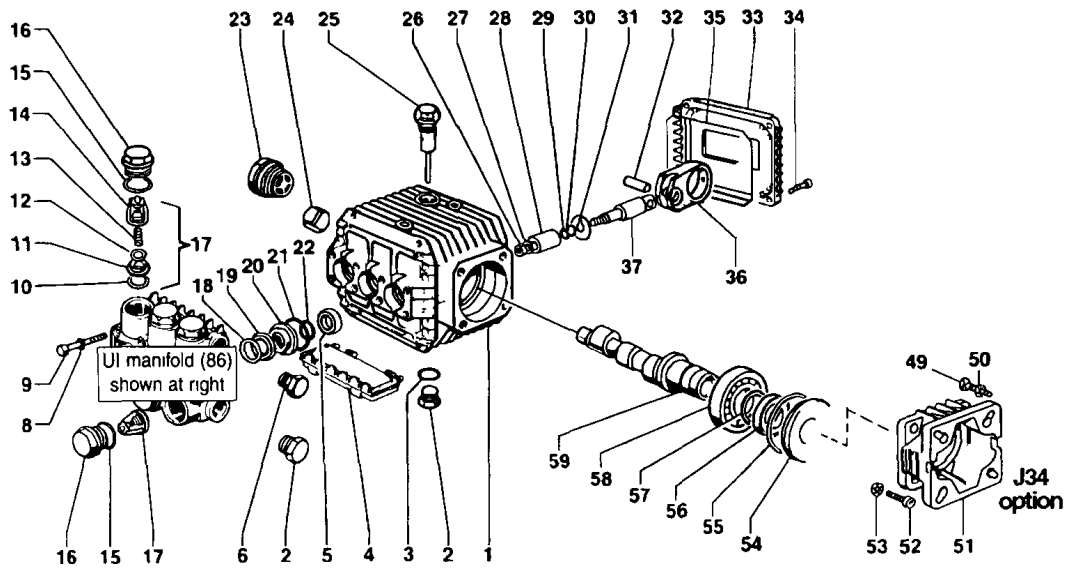
## Main Unit

REF NO	PART NO	QTY	DESCRIPTION
52	89476	1	GASKET, Exhaust
53	83208	1	BRACKET, Muffler
54	66476	2	HHCS, M6 1.0 x 12
55	83071	1	MUFFLER
56	B3062	1	KIT, Maintenance
57	48031C	3	CLAMP, Hose
58	96193	1	VALVE, Fuel Shut Off
59	96001	4	BOLT, M6 - 1.0 x 21 Shoulder
60	96002	4	BUSHING, Tank
61	94994	1	TANK, 1 Gal Fuel
62	95549	1	CAP, Fuel
63	30340C	1	HOSE, Fuel-1/4" I.D.
64	21545	1	SHIELD, Heat
65	B2516	1	CAP, Vinyl (black)
67	B3836	1	MANUAL
68	88681	1	CARD, Owner Registration
69	48031B	1	CLAMP, Hose 3/8"
70	30809	1	GROMMET, Rubber
71	B3800	2	MOUNT, Rubber Shock, M8
72	B3107A	1	HOSE, Thermal Relief
73	85883	1	STA-BIL
74	BB3061	1	OIL, 28 oz.
75	83831	1	BROCHURE, Sta-Bil
76	81886	1	DECAL, Sta-Bil
77	67989	4	NUT, M8 Flange Locking Hex M8 - 1.25 Serrated

# Pump

Note: Unless noted otherwise, use the standard torque specifications

Mfg. No: 1293-1



Not For  
Reproduction



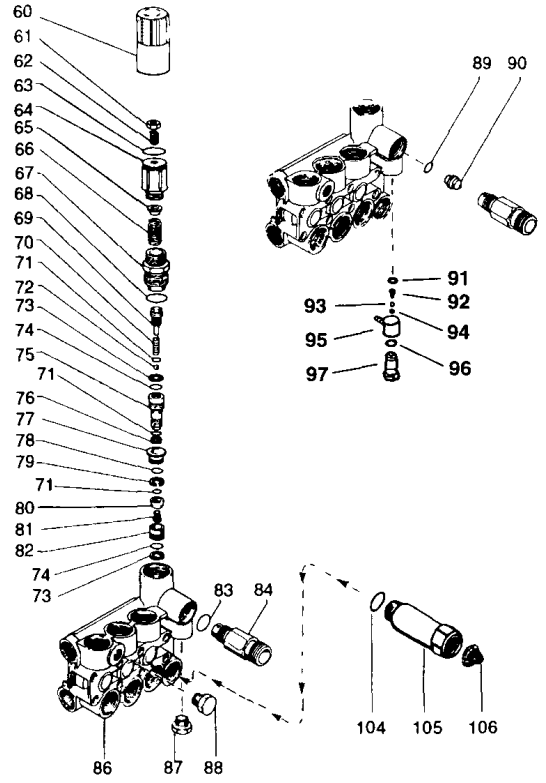
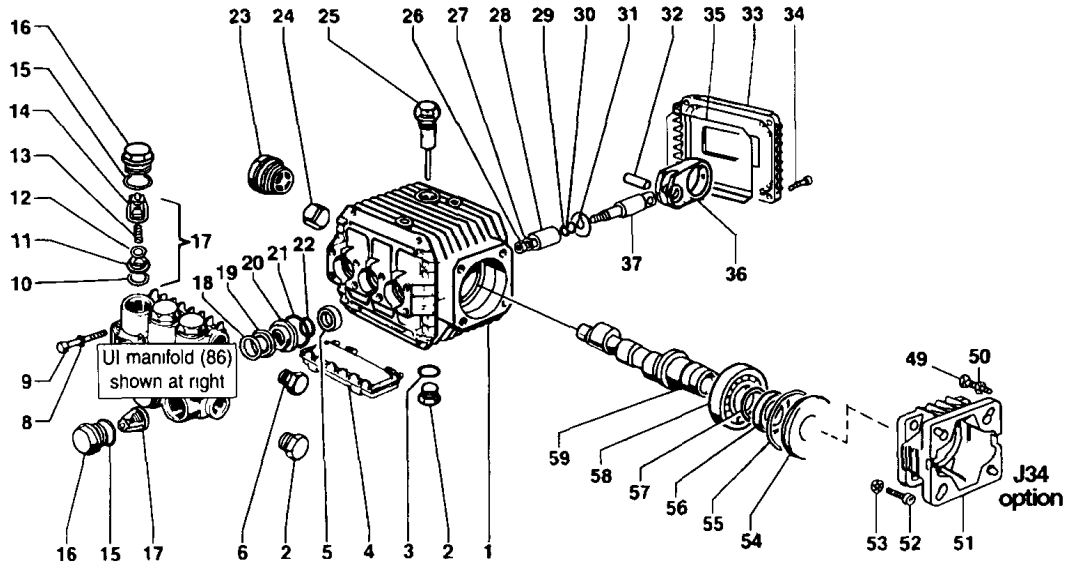
## Pump

REF NO	PART NO	QTY	DESCRIPTION
1	10092293P	1	Crankcase
2	10192293P	1	Plug
3	10292293P	1	O-Ring
4	10392293P	1	Protector
	50092293P	3	Oil Seal -Repair Kit; Includes item 5
5	104B3169	3	Oil Seal
6	10492293P	1	Plug
8	10692293P	8	Washer
9	10792293P	8	Screw
	50092294P	6	Valve Kit -Repair Kit; Includes items 10, 11, 12, 13, 14, (17)
10	108B3169	6	O-Ring
11	109B3169	6	Valve Seat
12	110B3169	6	Valve Plate
13	111B3169	6	Spring
14	112B3169	6	Valve Cage
15	10892293P	6	O-Ring
16	114B3169	6	Valve Cap
17	115B3169	6	Valve Assy.
	195B3169	3	O-Ring -Repair Kit; Includes items 18, 19, 21, 22
	50392293P	1	O-Ring -Repair Kit; Includes items 18, 19, 20, 21, 22
18	116B3169	3	Head Ring
19	117B3169	3	Packing
	192B3169	3	O-Ring -Repair Kit; Includes items 20, 21, 22
20	118B3169	3	Packing Retainer
21	119B3169	3	O-Ring
22	120B3169	3	O-Ring
23	11092293P	1	Sight Gauge
24	11192293P	1	Needle Bearing
25	94504	1	Oil Dip Stick
26	11292293P	3	Nut
27	11392293P	3	Washer
28	15092293P	3	Plunger
29	11492293P	3	O-Ring
30	11592293P	3	Back Up Ring
31	11692293P	3	Flinger Washer
32	11792293P	3	Conn. Rod Pin
33	11892293P	1	Crankcase Cover
34	12692293P	4	Screw
35	12092293P	1	Cover O-Ring
36	134B3169	3	Connecting Rod
37	12292293P	3	Plunger Rod
49	136B3169	4	Screw
50	137B3169	4	Washer
51	138B3169	1	Flange
52	12692293P	4	Screw
53	10692293P	4	Washer
54	12892293P	1	Spacer
55	12992293P	1	O-Ring

# Pump

Note: Unless noted otherwise, use the standard torque specifications

Mfg. No: 1293-1



Not For  
Reproduction

## Pump

REF NO	PART NO	QTY	DESCRIPTION
56	13092293P	1	Oil Seal
57	13192293P	1	Snap Ring
58	13292293P	1	Bearing
59	146B3169	1	Crankshaft
60	13492293P	1	Knob
61	148B3169	1	Bolt
62	149B3169	1	Nut
63	13792293P	1	O-Ring
64	13892293P	1	Pressure Regulator
65	152B3169	1	Seal
66	14092293P	1	Spring
	50592293P		O-Ring -Repair Kit; Includes items 67,68,69,70,71,72,73,74,75,76,77,78,79,80,81,82
67	154B3169	1	Bushing
68	10892293P	1	O-Ring
69	156B3169	1	Stopper
70	157B3169	1	Spring
71	158B3169	3	O-Ring
72	159B3169	1	Ball
73	160B3169	2	Back Up Ring
74	161B3169	2	O-Ring
75	162B3169	1	Piston
76	163B3169	1	Back Up Ring
77	164B3169	1	Valve Guide
78	165B3169	1	O-Ring
79	166B3169	1	Back Up Ring
80	167B3169	1	Valve
81	168B3169	1	Screw
82	169B3169	1	Valve Seal
	50692294P		O-Ring -Repair Kit; Includes items 83,89,91,92,93,94,95,96
83	170B3169	1	O-Ring
84	14192293P	1	Nipple
86	172B3169	1	U I Manifold
87	173B3169	1	Cap
88	10492293P	1	Cap
89	161B3169	1	O-Ring
90	14292293P	1	Nozzle
91	177B3169	1	O-Ring
92	178B3169	1	Spring
93	179B3169	1	Ball
94	11492293P	1	O-Ring
95	197B3169	1	Hosebarb
96	11292293P	1	O-Ring
97	199B3169	1	Inspector Housing
104	-----		UNKNOWN
105	-----		UNKNOWN
106	-----		UNKNOWN

# Hardware Identification & Torque Specifications

Torque Specification Chart								
FOR STANDARD METRIC MACHINE HARDWARE (Tolerance ± 20%)								
Property Class	5.6		8.8		10.9		12.9	
	Class 5.6		Class 8.8		Class 10.9		Class 12.9	
Size Of Hardware	in/lbs		in/lbs		in/lbs		in/lbs	
	ft/lbs	Nm.	ft/lbs	Nm.	ft/lbs	Nm.	ft/lbs	Nm.
M3	5.88	.56	13.44	1.28	19.2	1.80	22.92	2.15
M4	13.44	1.28	30.72	2.90	43.44	4.10	52.56	4.95
M5	26.4	2.50	60.96	5.75	5.97	8.10	7.15	9.7
M6	44.64	4.3	7.3	9.9	10.3	14	12.1	16.5
M7	5.2	7.1	12.1	16.5	16.9	23	19.9	27
M8	7.7	10.5	17.7	24	25	34	29	40
M10	15	21	35	48	50	67	59	81
M12	26	36	61	83	86.2	117	103	140
M14	42	58	101	132	136	185	162	220
M16	64	88	147	200	210	285	250	340
M18	89	121	202	275	287	390	346	470
M20	126	171	290	390	405	550	486	660
M22	169	230	390	530	559	745	656	890
M24	217	295	497	375	708	960	840	1140
M27	320	435	733	995	1032	1400	1239	1680
M30	435	590	995	1350	1401	1900	1681	2280
M33	590	800	1349	1830	1902	2580	2278	3090
M36	759	1030	1740	2360	2441	3310	2935	3980
M39	988	1340	2249	3050	3163	4290	3798	5150

Torque Specification Chart						
FOR STANDARD MACHINE HARDWARE (Tolerance ± 20%)						
Hardware Grade	No Marks		SAE Grade 5		SAE Grade 8	
	SAE Grade 2		SAE Grade 5		SAE Grade 8	
Size Of Hardware	in/lbs		in/lbs		in/lbs	
	ft/lbs	Nm.	ft/lbs	Nm.	ft/lbs	Nm.
8-32	19	2.1	30	3.4	41	4.6
8-36	20	2.3	31	3.5	43	4.9
10-24	27	3.1	43	4.9	60	6.8
10-32	31	3.5	49	5.5	68	7.7
1/4-20	66	7.6	8	10.9	12	16.3
1/4-28	76	8.6	10	13.6	14	19.0
5/16-18	11	15.0	17	23.1	25	34.0
5/16-24	12	16.3	19	25.8	29	34.0
3/8-16	20	27.2	30	40.8	45	61.2
3/8-24	23	31.3	35	47.6	50	68.0
7/16-14	30	40.8	50	68.0	70	95.2
7/16-20	35	47.6	55	74.8	80	108.8
1/2-13	50	68.0	75	102.0	110	149.6
1/2-20	55	74.8	90	122.4	120	163.2
9/16-12	65	88.4	110	149.6	150	204.0
9/16-18	75	102.0	120	163.2	170	231.2
5/8-11	90	122.4	150	204.0	220	299.2
5/8-18	100	136	180	244.8	240	326.4
3/4-10	160	217.6	260	353.6	386	525.0
3/4-16	180	244.8	300	408.0	420	571.2
7/8-9	140	190.4	400	544.0	600	816.0
7/8-14	155	210.8	440	598.4	660	897.6
1-8	220	299.2	580	788.8	900	1,244.0
1-12	240	326.4	640	870.4	1,000	1,360.0

The guides and ruler furnished below are designed to help you select the appropriate hardware.



Nut, M8

Thread Diameter (mm)

Inside Diameter (in)      Threads per inch

Nut, 1/2-16



Screw, M8- 1.25 x 25

Thread Diameter (mm)      Distance between threads (mm)      Body Length (mm)

Body Diameter      Threads per inch      Body Length (in)

Screw, 1/2- 16 x 2



## Standard Hardware Sizing

When a washer or nut is identified as 1/2" (M8), this is the *Nominal size*, meaning the *inside diameter* is 1/2 inch (8mm metric thread diameter); if a second number is present it represents the *threads per inch* (distance between threads).

When bolt or capscrew is identified as 1/2 - 16 x 2" (M8 - 1.25 x 50), this means the *Nominal size*, or body diameter is 1/2 inch (8mm metric thread diameter), the second number, 16, represents the *threads per inch*, (*distance between threads*). The final number is the body length of the bolt or screw, 2 inches (50mm).

## NOTES

- These torque values are to be used for all hardware excluding: locknuts, self-tapping screws, thread forming screws, sheet metal screws and socket head setscrews.
- Recommended seating torque values for locknuts:
  - for prevailing torque locknuts - use 65% of grade 5 torques.
  - for flange whizlock nuts and screws - use 135% of grade 5 torques.
- Unless otherwise noted on assembly drawings, all torque values must meet this specification.

## Common Hardware Types

Hex Head Capscrew



Washer



Carriage Bolt



Hex Nut

## Wrench & Fastener Size Guide

1/4" Bolt or Nut Wrench—7/16"	5/16" Bolt or Nut Wrench—1/2"	3/8" Bolt or Nut Wrench—9/16"	7/16" Bolt or Nut Wrench (Bolt)—5/8" Wrench (Nut)—11/16"	1/2" Bolt or Nut Wrench—3/4"
M6 Bolt or Nut Wrench—10mm	M8 Bolt or Nut Wrench—13mm	M10 Bolt or Nut Wrench—17mm	M12 Bolt or Nut Wrench—19mm	M14 Bolt or Nut Wrench—22mm

